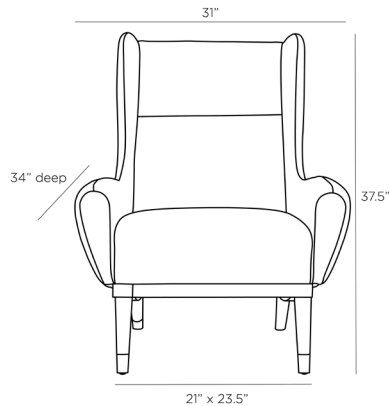


ARTERIOS

OPHELIA LOUNGE CHAIR



8107

H: 37.5 IN, W: 31 IN, D: 34 IN

Graphite Leather

Contract Suitable As Is

The traditional silhouette of the wingback chair gets a mid-century modern update. Slighter wings, a swooping back curve and gracious arm lines maintain the elegance of the wingback style, with a modern twist. Graphite leather, tapered dark walnut wood legs and antique brass iron-capped feet give the chair even more elevated styling. Leather and finish will vary.

APPEARANCE

Material	Iron Sheet, Leather, Wood
Finish	Antique Brass, Dark Walnut, Graphite
Finish Will Vary	true
Top Coat/Sealant	false

DIMENSIONS

Arm	H: 21.5 IN, W: 4.5 IN, D: 22 IN
Foot Print	W: 21 IN, D: 23.5 IN
Leg Height	8.5 IN
Seat Back Height	20.5 IN
Seat	W: 20.5 IN, D: 21 IN
Seat Height	18 IN
Seat	W: 20.5 IN, D: 21 IN

SHIPPING

Shipping Requirements	TruckShip
Product Weight	50 LBS
Gross Weight 1	65 LBS
Shipping Box 1	H: 40 IN, L: 35 IN, W: 38 IN

ADDITIONAL INFO

Fabric Composition	100% Leather
Fabric Double Rub Count	N/A
Fabric Compliancy	NFPA-260, TB117-2013

CONTRACT

Contract Suitable	true
Contract Textile Suitability	High Traffic/Public Spaces
Swatch Number	T02SW